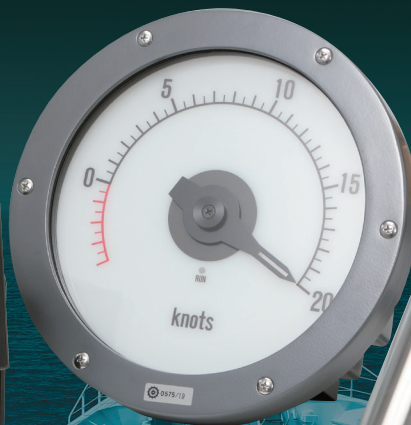


Flat type sensor Electromagnetic Log
EML900
Series



Next Generation Type Electromagnetic Log EML900 Series

EML900 series is a next generation electromagnetic log successfully adapted with a new operation unit.

EML900 fully conforms following testing standard, and improves on safety, usability, and extensibility.

This electromagnetic log can be adapted from small vessels to large vessels.

IEC60945(2002)、IEC61162-1(2016)

IEC61023(2007)、IEC62288

New Operation Unit

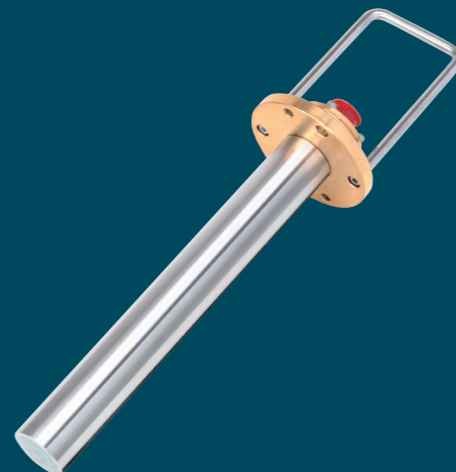
- High visibility and enhanced man-machine interface by 3.5 inch color display.
- Easy adjustment of indication speed.
- Miniaturization and weight saving unit whose equip position can be selected freely .



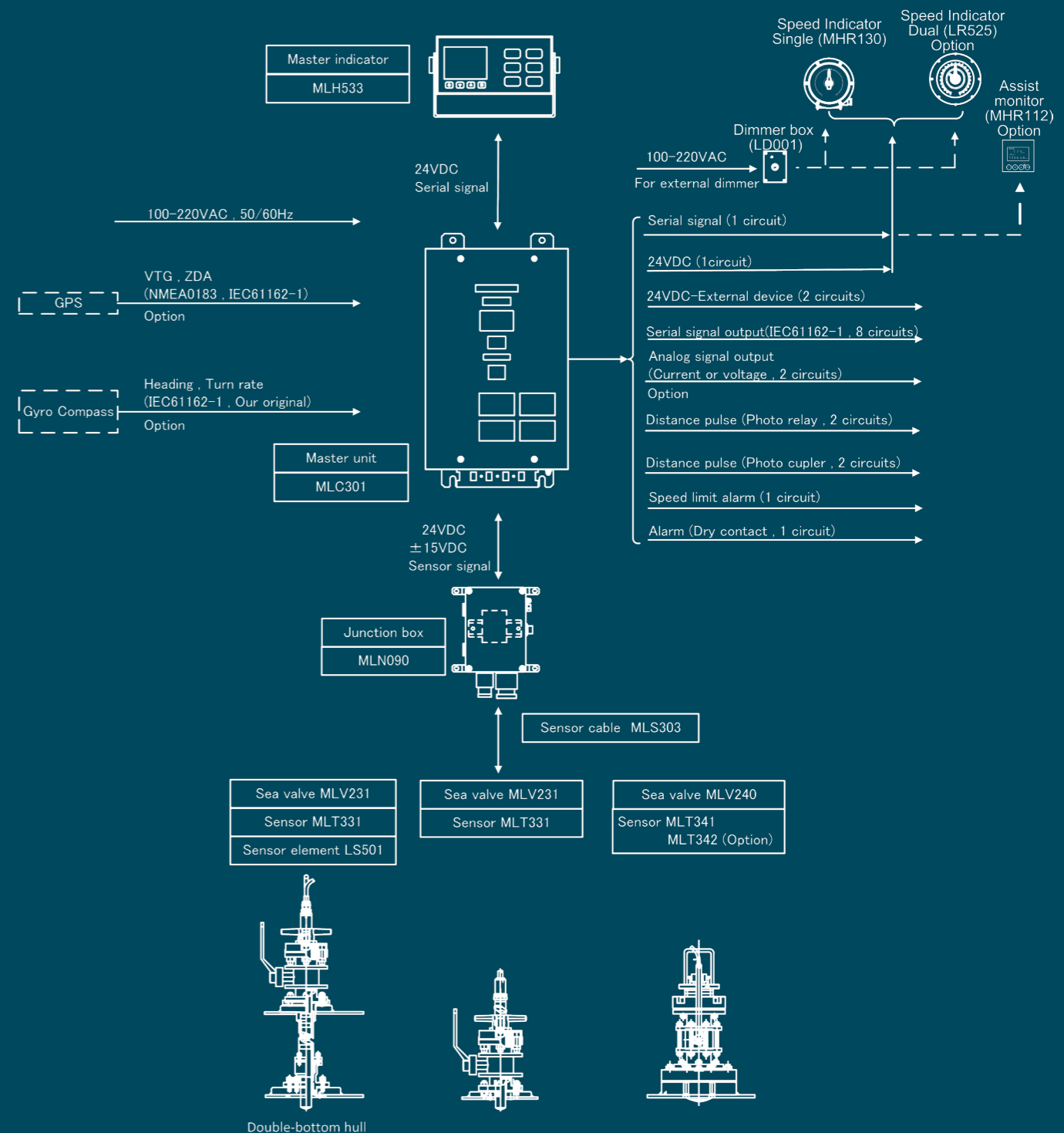
Master Indicator

Improvement of the sea valve and sensor

- Easy installation and pull-out of the sensor.
- Transverse speed can be measured if dual-axis sensor is selected.



System configuration

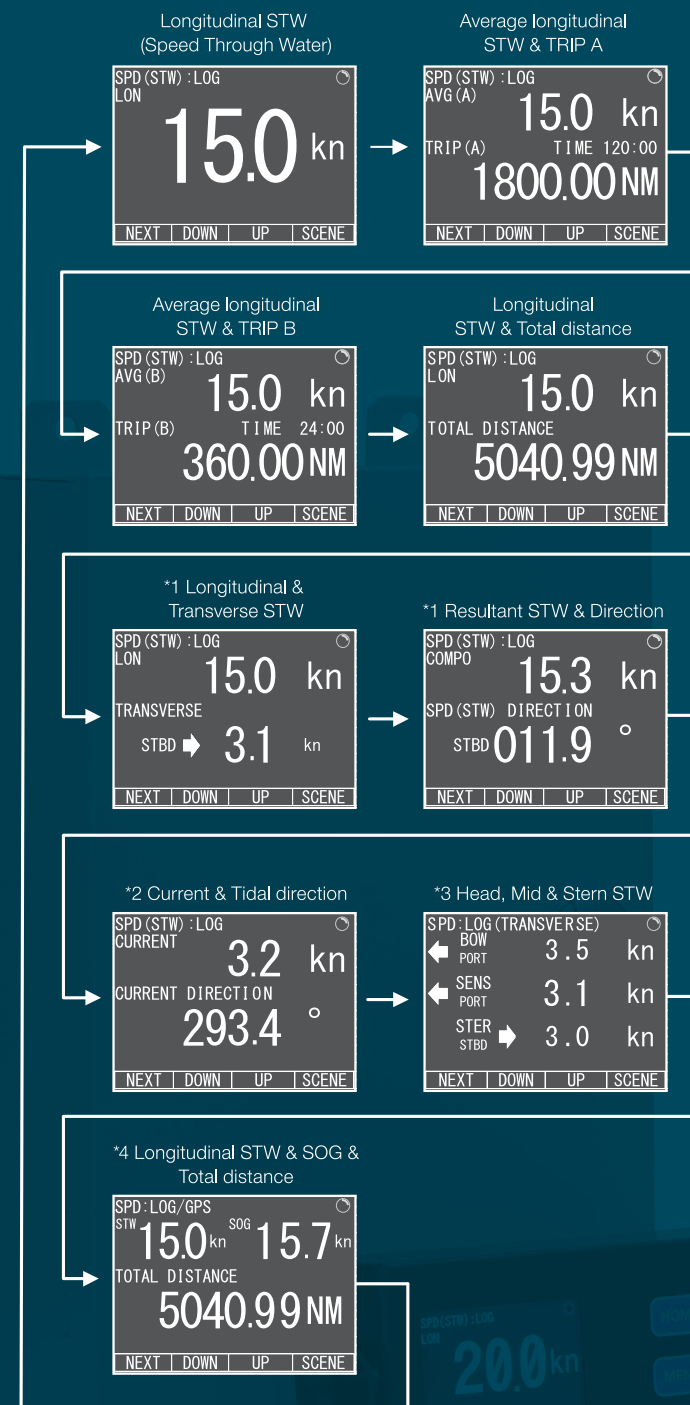


External interface

- GPS Interface: Back-up for Log sensor (Only indicates at Master Indicator)
 - GYRO Interface: For the calculation of berth speed,
- Note: All of above interface are optional

Screen scene

- LOG is selected as signal source



- *1 : In case of Dual-axis sensor is equipped
- *2 : In case of Dual-axis sensor is equipped, Gyro and GPS signal is connected.
- *3 : In case of Dual-axis sensor is equipped and Gyro is connected.
- *4 : In case of GPS signal is connected.

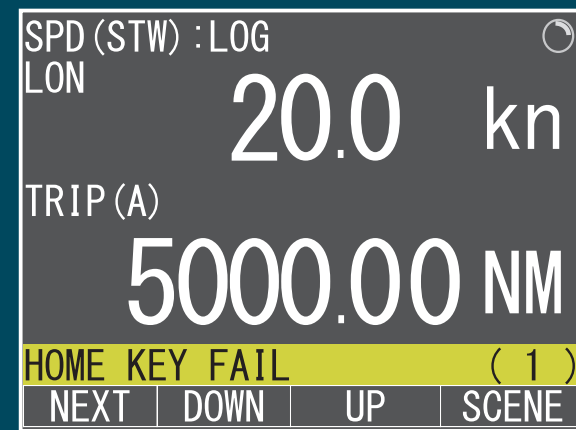
Many external outputs

- Signal output as below

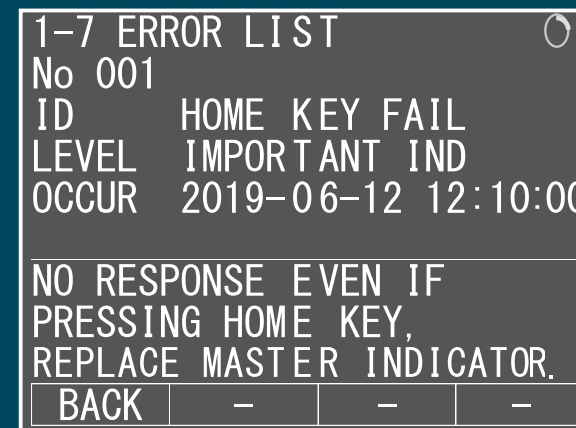
Output	Circuit	Format
Analog speed	2	Current / Voltage
Distance pulse	2	Photocoupler
	2	Photorelay
Serial	8	IEC61162-1/NMEA2.3,2.0 etc...
Speed limit	1	Contact (NC/NO)
Alarm	1	Contact (NC/NO)

Error history indication

- Detail of error and correspond can be confirmed on MENU screen.
- On error history, it can confirm normal error detail (not active)

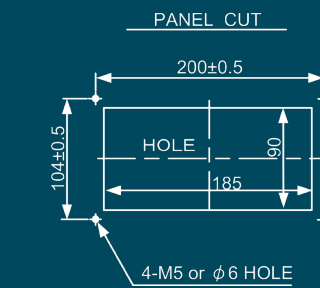
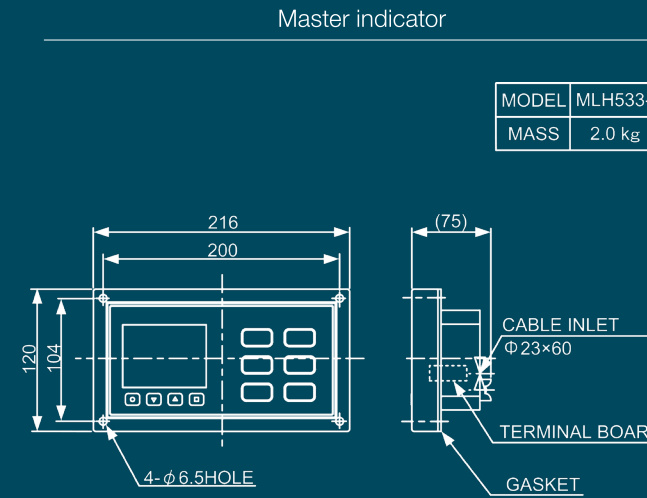


Error indication on HOME screen



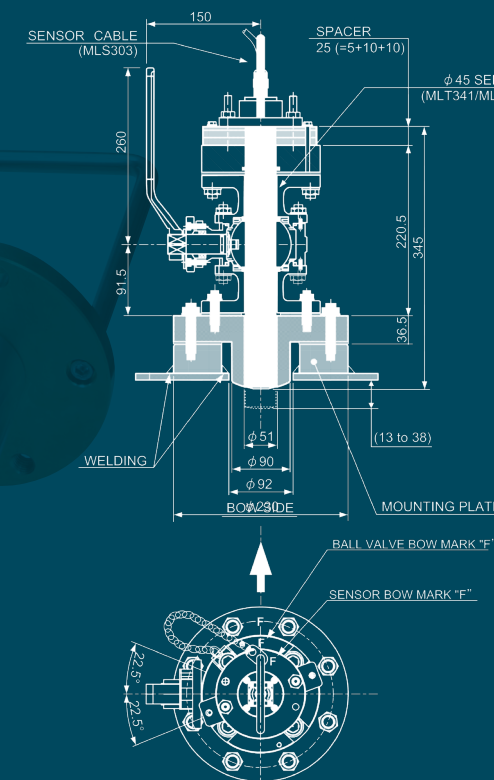
Error detail screen

Outline

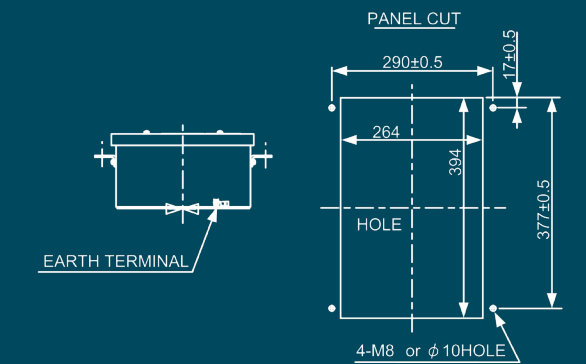
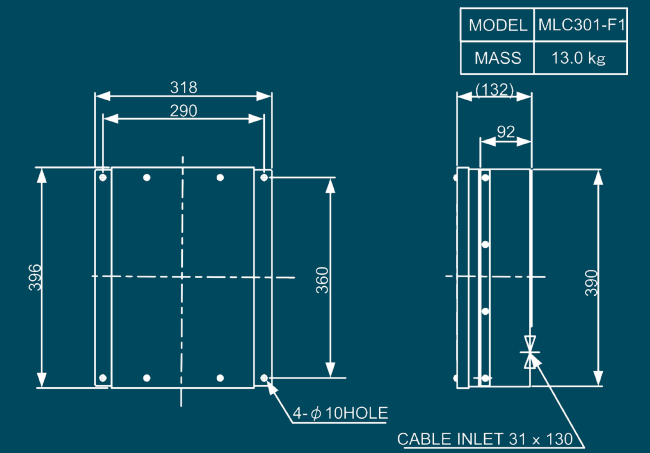


FB1/FB2
48φSensor and Seawater valve

SEA VALVE	Φ45 SENSOR
MODEL MLV240	MODEL MLT341/MLT342
MASS 25.0kg	MASS 3.5kg

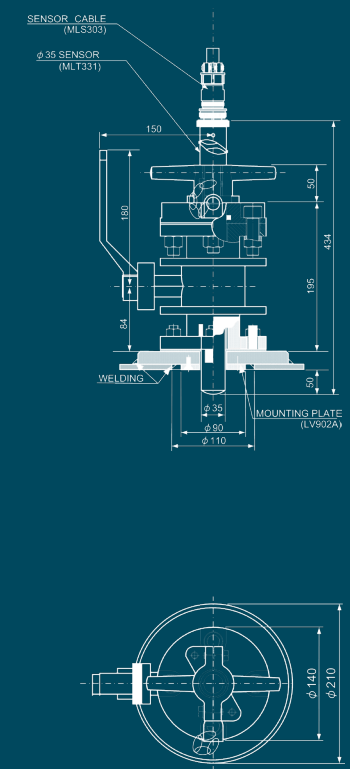


Master unit



HD1
35φSensor and Seawater valve

SEA VALVE	Φ35 SENSOR
MODEL MLV231	MODEL MLT331
MASS 12.0kg	MASS 3.0kg



Power supply	Main power supply	100-220VAC, 50/60Hz
Power consumption	Main power supply	160VA(Maximum)
Measurement range	Longitudinal	-4kn-20kn
		-5kn-25kn
		-7kn-35kn
Transverse	-8kn-40kn (※1)	
	-10kn-50kn (※2)	
	-13kn-65kn (※1)(※2)	
Distance	※1: Cannot be selected for MHR130-SPD	
	※2: Independent engineering is required to sensor attached part.	
	※3: Dual-axis sensor	
Accuracy	Speed	10kn or low … ±0.2kn
		10kn or high … speed kn x ±2%
		For analog indication… kn x ±2.5% or ±0.25kn to the speed
	Distance	±0.2NM/h or ±2NM/h or high
*technical requirement for the performance standard determined by IMO IMO.A824(19) and MSC.96(72).		
Environmental	Temperature	-15°C - +55°C
		-20°C - +60°C
	Humidity	0-93% R.H (no condensation around)
	Vibration	2.0-13.2Hz: Full amplitude 2mm / 13.2-100Hz: 7m/s ²
	Protection	Junction box …IP56
		Sensor bottom …IPx8
		Other than above …IP22
	Power range	AC power…Voltage ±10%、Ferquency ±5%
Ship's battery …-25 - +30%		
Insulation resistance	At least 10MΩ using a 500V megger	
	1500VAC, 1min	
Withstanding voltage	IEC 60945	
Standard	MED	MEDB00005J2

YDK Technologies Co., Ltd.

URL: <https://www.ydktechs.co.jp>



Caution: Please read the manual before using this product

Marine Equipment Business Division
 Address: Minami Shinjuku Hoshino Bldg.
 5-23-13 Sendagaya, Shibuya-ku, Tokyo, 151-0051 JAPAN

International Sales Dept. Phone : (81) 3-3225-5383 FAX : (81) 3-3225-5316
 Service Dept. Phone : (81) 3-3225-5392 FAX : (81) 3-3225-5316
 Domestic Sales Dept. Phone : (81) 3-3225-5382 FAX : (81) 3-3225-5316

Osaka Branch Phone : (81) 6-4706-8027 FAX : (81) 6-4706-8028
 Imabari Branch Phone : (81) 898-22-4559 FAX : (81) 898-33-2005
 Nagasaki Branch Phone : (81) 92-272-0954 FAX : (81) 92-272-0955

Represented by: