



PCP-209

MULTI FUNCTION COLOR PLOTTER

9" Touchscreen and
Hardware Keys

800 x 480px Resolution

Wireless LAN (Wifi)
Connection

Bracket or Panel Mount



Performance, high quality and design are the main characteristics of POLAR products.

PCP Series Chart Plotters with numerous optional input and output ports allow a wide range of combinations in a single navigation station and display various kinds of data with accuracy and in detail.



GPS Receiver

The impressive 16 channel PGR-101 GPS sensor provides sensitivity for signal acquisition, with incredible position accuracy, in a compact size that is flush mounted.



Computer



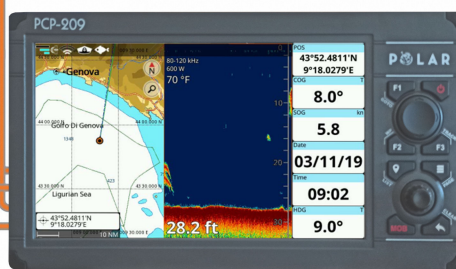
Auto Pilot

Via NMEA 0183 connection, PCP Series Chart Plotters are suitable with the best performing autopilots, which can be controlled like never before from the brilliant primary display.



Radome Antenna

Once integrated with a radome radar, POLAR Chart Plotter ensures exceptional detection of small or distant targets, visually eliminating screen clutter allowing a clear and accurate image.



Multi Function Display

For repeating data



Fishfinder Blackbox

HIGH resolution provides picture perfect images of structure and fish directly below your boat.

AIS Receiver

Integrate Class B AIS receiver to your chartplotter to see and to be seen. Overlay AIS-equipped vessel information on chart plotter for exceptional situational awareness.



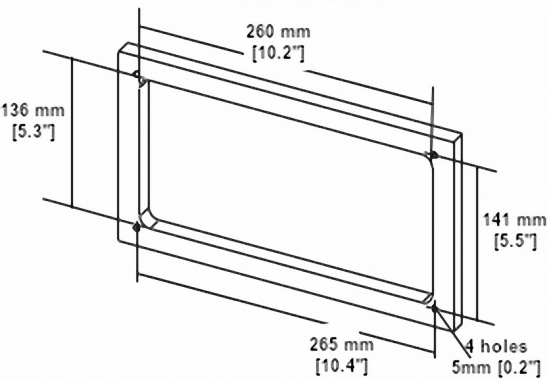
2nd Station



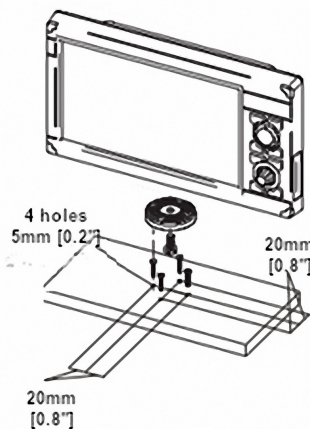
SPECIFICATION:

PCP-209 Multi Function Color Plotter		PGR-101 GPS Sensor	
Display Size:	9"	Receiving Method and Frequency:	16 channels parallel (up to 3 for WAAS Satellites) with 1575,43 MHz (L1, C/A code)
Display resolution:	800x480px	Receiving Sensitivity:	Less than -134 dBm
Display brightness:	1100 nits	Time to First Fix (TTFF) Warm Start:	33 second (typical)
Touch-screen:	Capacitive multitouch	Time to First Fix (TTFF) Cold Start:	40 second (typical)
Back-lit keyboard		Accuracy Position Less than 2,5mCEP1 5,0mSEP2 : GPS : (SA= OFF; HDOP< 4)	
Built-in GPS sensor:	10Hz GPS/GLONASS	Accuracy Position Less than 2,0mCEP1 3,0mSEP2 : DGPS : (SA= OFF; HDOP< 4)	
Built-in Fish Finder CHIRP		Strong Signal <= 4 g	
External GPS connector		Weak Signals typical 1 g	
NMEA 2000		18000m Altitude	
NMEA 0183:	2x Rx/Tx on power cable	1850 Km/h (515 m/sec) Velocity	
Transducer connector		DGPS Format :	WAAS; EGNOS; MSAS
Memory slot:	MicroSD	Output Format :	NMEA-0183 Baud rate 4800 N81
Wifi connectivity		NMEA Output Messages :	GGA, RMC, GSA, GSV, TXT
BLE connectivity		Geodetic Datum :	WGS84
Mounting options :	Bracket and flush mount	Operating Temperature :	from 0°C to +60°C
Waterproof:	IPX6	Storage Temperature :	from -20°C to +85°C
Supply voltage:	10-35 Vdc		95% Non-Condensing Relative Humidity
Operating temperature:	-10°C/ +60 °C		IPX7 Water Resistance
Storage temperature:	-20°C / +80°C	Height :	97 x 32mm (flush / pole / rail mounting)
Transmitting frequency range:	2400-2483 Mhz	Weight :	160 grams (without cable)
Maximum transmitting power:	100mW		15 meter 8x28AWG Cable
Maximum power consumption:	25W		10-35 Vdc Input Voltage
		Power Consumption :	0,8 W max
		Electrical Interface :	TTL voltage level, RS-232 polarity

Panel Mount



Bracket Mount



The best possible solutions!...

POLAR offers you the best possible solutions in marine electronics, a combination of high performance, excessive quality, and aesthetics in design.

Contact POLAR technical support team 7/24 to get effective and responsive support you need.

POLAR
PROFESSIONAL MARINE ELECTRONICS

Istanbul Office: POLARMARINE A.Ş.
Address :Guzelyali, Sahil Yolu Cad.
No:78 34903, Pendik, Istanbul/Turkey
Phone :+90 216 493 55 55 PBX
Fax : +90 216 392 42 26