



PCP-222

MULTI FUNCTION COLOR PLOTTER

12" Touchscreen and
Hardware Keys

1024 x 768px Resolution

Wireless LAN (Wifi)
Connection

Bracket or Panel Mount



Performance, high quality and design are the main characteristics of POLAR products.

PCP Series Chart Plotters with numerous optional input and output ports allow a wide range of combinations in a single navigation station and display various kinds of data with accuracy and in detail.



GPS Receiver

The impressive 16 channel PGR-101 GPS sensor provides sensitivity for signal acquisition, with incredible position accuracy, in a compact size that is flush mounted.



Computer



Auto Pilot

Via NMEA 0183 connection, PCP Series Chart Plotters are suitable with the best performing autopilots, which can be controlled like never before from the brilliant primary display.



Radome Antenna

Once integrated with a radome radar, POLAR Chart Plotter ensures exceptional detection of small or distant targets, visually eliminating screen clutter allowing a clear and accurate image.



Multi Function Display

For repeating data



Fishfinder Blackbox

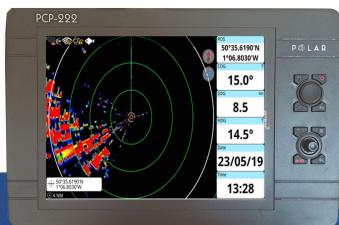
HIGH resolution provides picture perfect images of structure and fish directly below your boat.

AIS Receiver

Integrate Class B AIS receiver to your chartplotter to see and to be seen. Overlay AIS-equipped vessel information on chart plotter for exceptional situational awareness.



2nd Station

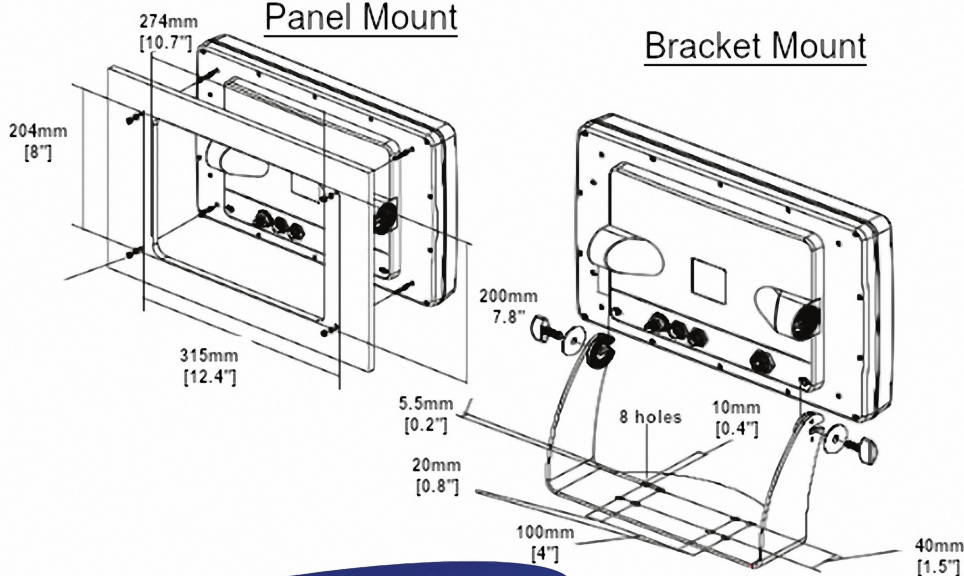


SPECIFICATION:

| PCP-222 Multi Function Color Plotter | | PGR-101 GPS Sensor | |
|---------------------------------------|-------------------------|---|--|
| Display Size: | 12" | Receiving Method and Frequency: | 16 channels parallel (up to 3 for WAAS Satellites) with 1575,43 MHz (L1, C/A code) |
| Display resolution: | 1024x768 | Receiving Sensitivity: | Less than -134 dBm |
| Display brightness: | 1250 nits | Time to First Fix (TTFF) Warm Start: | 33 second (typical) |
| Touch-screen: | Capacitive multitouch | Time to First Fix (TTFF) Cold Start: | 40 second (typical) |
| Back-lit keyboard | | Accuracy Position Less than 2,5mCEP1 5,0mSEP2 : GPS : (SA= OFF; HDOP< 4) | |
| Built-in GPS sensor: | 10Hz GPS/GLONASS | Accuracy Position Less than 2,0mCEP1 3,0mSEP2 : DGPS : (SA= OFF; HDOP< 4) | |
| Built-in Fish Finder CHIRP | | Strong Signal <= 4 g | |
| External GPS connector | | Weak Signals typical 1 g | |
| NMEA 2000 | | 18000m Altitude | |
| NMEA 0183: | 2x Rx/Tx on power cable | 1850 Km/h (515 m/sec) Velocity | |
| Transducer connector | | DGPS Format : | WAAS; EGNOS; MSAS |
| Memory slot: | MicroSD | Output Format : | NMEA-0183 Baud rate 4800 N81 |
| Wireless LAN connection compatibility | | NMEA Output Messages : | GGA, RMC, GSA, GSV, TXT |
| BT wireless technology capability | | Geodetic Datum : | WGS84 |
| Mounting options : | Bracket and flush mount | Operating Temperature : | from 0°C to +60°C |
| Waterproof: | IPX6 | Storage Temperature : | from -20°C to +85°C |
| Supply voltage: | 10-35 Vdc | 95% Non-Condensing Relative Humidity | |
| Operating temperature: | -10°C/ +60 °C | IPX7 Water Resistance | |
| Storage temperature: | -20°C / +80°C | Height : | 97 x 32mm (flush / pole / rail mounting) |
| Transmitting frequency range: | 2400-2483 Mhz | Weight : | 160 grams (without cable) |
| Maximum transmitting power: | 100mW | 15 meter 8x28AWG Cable | |
| Maximum power consumption: | 32W | 10-35 Vdc Input Voltage | |
| | | Power Consumption : | 0,8 W max |
| | | Electrical Interface : | TTL voltage level, RS-232 polarity |

Panel Mount

Bracket Mount



The best possible solutions!...

POLAR offers you the best possible solutions in marine electronics, a combination of high performance, excessive quality, and aesthetics in design.

Contact POLAR technical support team 7/24 to get effective and responsive support you need.

POLAR
PROFESSIONAL MARINE ELECTRONICS

Istanbul Office: POLARMARINE A.Ş.
Address :Guzelyali, Sahil Yolu Cad.
No:78 34903, Pendik, Istanbul/Turkey
Phone : +90 216 493 55 55 PBX
Fax : +90 216 392 42 26